

## AMEREC STEAMBATH GENERATORS (MODELS: AR4, AR5, AR6, AR7, AR8.5, AR10) SAVE THIS MANUAL

Thank you for purchasing your new AMEREC steam generator. If we can be of any assistance do not hesitate to call our Service Department at 1-800-331-0349.

**FOR THE SAFETY OF YOU AND YOUR FAMILY PLEASE READ THE WARNINGS TO THE RIGHT AND ALL INSTRUCTIONS BEFORE USING YOUR STEAMBATH.**

**POST "WARNING" LABEL OUTSIDE STEAMBATH FOR SAFETY WARNINGS. REQUIRED POSTING ON DOOR OF STEAM ROOM OR ADJACENT TO DOOR FOR ALL COMMERCIAL INSTALLATIONS.**

### SECTION 1: OPERATION OF YOUR NEW AMEREC GENERATOR

1. Assure that both the power circuit and water supply to the generator are ON.
2. To activate the steam press the control on. In 10 to 20 minutes the room should be comfortable enough to begin taking a steam bath. The unit will turn off automatically in 30 minutes. The average time spent taking a steam bath is approximately 10 minutes.
3. Remove clothing and jewelry.
4. Enter the steam room and close the door to prevent steam from escaping.
5. Relax and enjoy the warm steam releasing tense muscles and refreshing the entire body.
6. If your steam room has a shower, a pleasant experience can be achieved by taking a warm shower while in the steam. You will find the contrast from water to steam quite invigorating.
7. Pressing the control while the steam generator is operating will shut it off.

### SECTION 2: MAINTENANCE OF THE AR SERIES

The steam generator, steam head, fittings and plumbing connections should be inspected annually for water leaks and damage.

The AR steam generator is equipped with a drain valve for flushing sediments from the generator tank. This procedure should be scheduled monthly or more often depending on local water conditions and steam bath usage.

#### FLUSHING PROCEDURE

1. The generator should be cool.
2. Turn control on.
3. Open the drain valve.
4. The unit will drain without heating the water.
5. Allow the water to run 10 minutes.
6. Close the drain valve.

### WARNING

**Electric Shock Hazard - High voltage exists within this equipment. There are no user serviceable parts in this equipment. All installation and service to this equipment should be performed by qualified licensed personnel.**

**Do not exceed 30 minutes in a steambath. Excessive exposure can be harmful to your health. Excessive exposure can produce a rapid pulse, light-headedness, weakness or fainting. If you become uncomfortable or experience any of the above conditions exit the steambath immediately.**

**Steambaths can put undue stress on the body. Therefore a steambath should be used only under a doctor's direction if you:**

- Are pregnant**
  - Have a heart condition**
  - Have high blood pressure**
  - Have circulatory problems**
  - Are under the influence of alcohol**
  - Are under the influence of drugs**
  - Have diabetes**
  - Are under the care of a physician**
  - Are in generally poor health**
- Children should only use the steambath under close adult supervision.**

**Scald Hazard: Do Not Touch the steam head or trim during operation as they are HOT. Stay at least 12 inches away from the hot steam escaping from the steam head. It is recommended that the steambath not be operated for more than one timer cycle without allowing the steam bath enclosure to cool because of the following:**

**Certain construction materials may be damaged by the higher than normal heat.**

**A scald hazard could be presented by bath fixtures overheating.**

**Be careful when entering a steambath. Escaping steam from an overheated steam room may cause injury.**

**WARNING**

**REDUCE THE RISK OF OVERHEATING AND SCALDING**

1. Exit immediately if uncomfortable. Stay away. Staying too long in a heated area is capable of causing overheating.
2. Supervise children at all times.
3. Check with a doctor before use if pregnant, diabetic, in poor health or under medical care.
4. Breathing heated air in conjunction with consumption of alcohol, drugs or medication is capable of causing unconsciousness.

**CAUTION!** Do not contact steam head. Stay at least 12" away from hot steam escaping from the steam outlet.

**REDUCE THE RISK OF SLIPPING AND FALL INJURY**

Use care when entering or exiting the steam room. Foot may be slippery.

NOTE: For additional safety instructions, see owner's manual.



## IMPORTANT SAFETY INSTRUCTIONS

1. READ AND FOLLOW ALL INSTRUCTIONS.
  
2. WARNING - To reduce the risk of injury, do not permit children to use this product unless they are closely supervised at all times.
  
3. WARNING - To reduce the risk of injury:
  - a. The wet surfaces of steam enclosures may be slippery. Use care when entering or leaving.
  
  - b. The steam head is hot. Do not touch the steam head and avoid the steam near the steam head.
  
  - c. Prolonged use of the steam system can raise excessively the internal human body temperature and impair the body's ability to regulate its internal temperature (hyperthermia). Limit your use of steam to 10 - 15 minutes until you are certain of your body's reaction.
  
  - d. Excessive temperatures have a high potential for causing fetal damage during the early months of pregnancy. Pregnant or possibly pregnant women should consult a physician regarding correct exposure.
  
  - e. Obese persons and persons with a history of heart disease, low or high blood pressure, circulatory system problems, or diabetes should consult a physician before using a steambath.
  
  - f. Persons using medication should consult a physician before using a steambath since some medication may induce drowsiness while other medications may affect heart rate, blood pressure and circulation.
  
4. WARNING - Hyperthermia occurs when the internal temperature of the body reaches a level several degrees above the normal body temperature of 98.6 degrees F. The symptoms of hyperthermia include an increase in the internal temperature of the body, dizziness, lethargy, drowsiness and fainting. The effect of hyperthermia include:
  - a. Failure to perceive heat:
  - b. Failure to recognize the need to exit the steambath:
  - c. Unawareness of impending risk:
  - d. Fetal damage in pregnant women:
  - e. Physical inability to exit the steambath: and
  - f. Unconsciousness.

WARNING - The use of alcohol, drugs or medication can greatly increase the risk of hyperthermia.

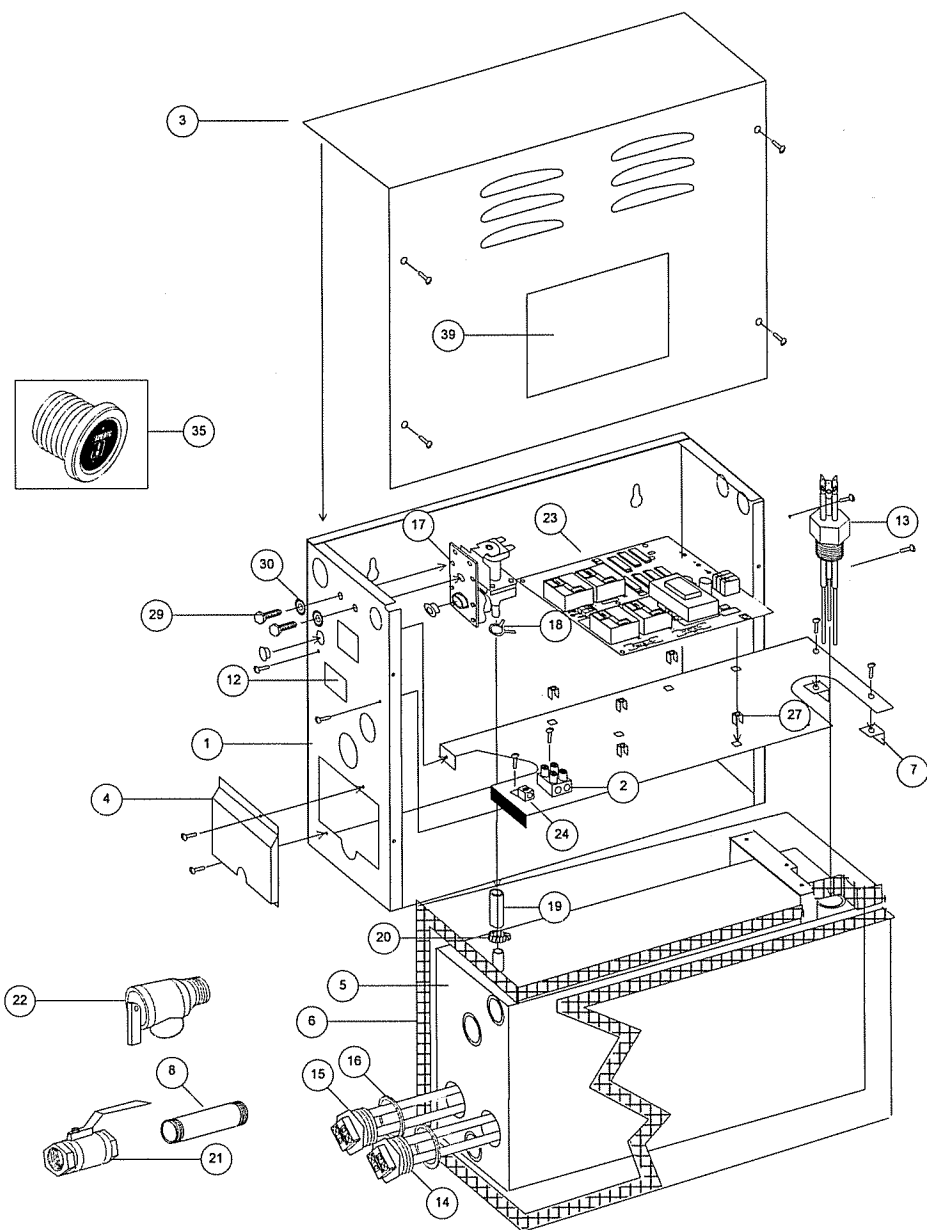
**SAVE THESE INSTRUCTIONS**

**SECTION 3: TROUBLESHOOTING GUIDE**

The Troubleshooting Guide below is meant as a general aid only. There are no user serviceable parts in the generator. All repairs should be performed by a qualified service person. For additional assistance or the factory authorized service person nearest you call AMEREC's Service Department at 1-800-331-0349.

SYMPTOMS	PROBABLE CAUSES	ACTION TO BE TAKEN
Control "ON" (Control Lighted) No Steam	No water to Generator or Control circuit is faulty or Generator is faulty	1. Wait at least 10 minutes after turning on Control 2. Verify that the water is on. 3. Verify that the Generator's drain valve is closed. 4. If the above 4 steps do not disclose the problem turn off the Generator's circuit breaker. Call AMEREC's Service Department.
Control "OFF" (Control light off) Unit still makes steam	Control circuit is faulty or Generator is faulty	1. Turn off circuit breaker. 2. Call AMEREC's Service Department
Water runs out steam head	Generator is faulty	1. Turn off circuit breaker. 2. Turn off water. 3. Call AMEREC's Service Department

NUMBER	PART NAME	DESCRIPTION
1	FRAME	CHASSIS
2	TERMINAL	TERMINAL BLOCK
3	COVER	FRONT WITH WD LABEL
4	COVER	ELEMENT ACCESS
5	TANK	TWO ELEMENTS
6	INSULATION	BLANKET
7	BRACKET	L BRACKET, SHELF SUPPORT
8	NIPPLE	1/2" DRAIN NIPPLE
12	LABEL	UL RATINGS
13	PROBE	TRIPLE LEVEL
14	ELEMENT	NO 1 POSITION
15	ELEMENT	NO 2 POSITION
16	GASKET	ELEMENT
17	VALVE	WATER INLET
18	CLAMP	SELF TIGHTENING
19	HOSE	WATER
20	CLAMP	AUGER
21	VALVE	MANUAL DRAIN
22	VALVE	PRESSURE RELIEF
23	PCA	PRINTED CIRCUIT ASSEMBLY, AR
24	LUG	GROUND
27	STAND OFF	PCA STAND OFF
29	BOLT	1/4-20 x 1/2"
30	WASHER	1/4" LOCK
35	CONTROL	R30N
37	STEAM HEAD	DISPERSION HEAD (NOT SHOWN)
38	PLACARD	SAFETY (NOT SHOWN)
39	LABEL	WIRE DIAGRAM
40	FUSES	15/100A SLO-BLO (NOT SHOWN)



• For assistance or part orders please contact your local AMEREC Dealer or call AMEREC at 1-800-331-0349. Please help us serve you better by:

1. Identifying the problem by using the troubleshooting guide in this manual.

2. Read number 12, the UL Rating Label to obtain your unit's model and code number.

• When ordering parts please provide the number, description and quantity needed. When ordering wire assemblies, please describe the wires by color, location and/or their connection points.

• Do not return any materials to AMEREC without first contacting AMEREC for a Return Authorization Number. Freight must be prepaid to AMEREC.

**AMEREC™**  
**SAUNA & STEAM**  
 17683 128th Place NE, Building C  
 Woodinville, Washington 98072, USA  
 425-951-1120 Fax: 425-951-1130